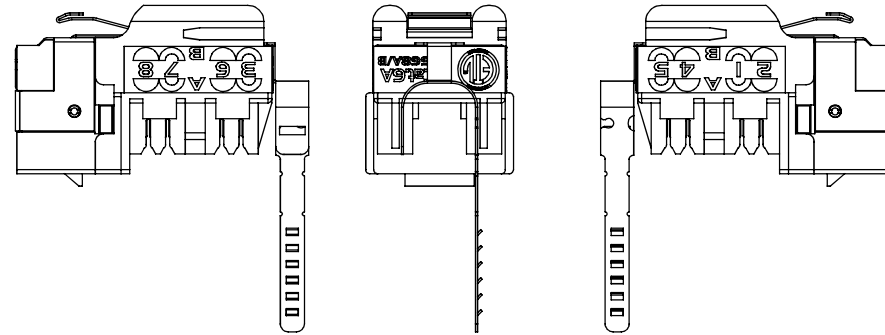
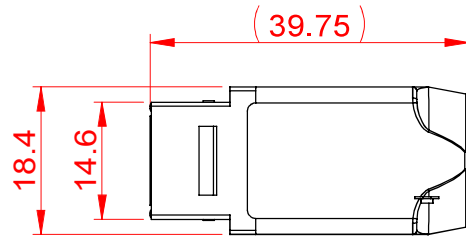
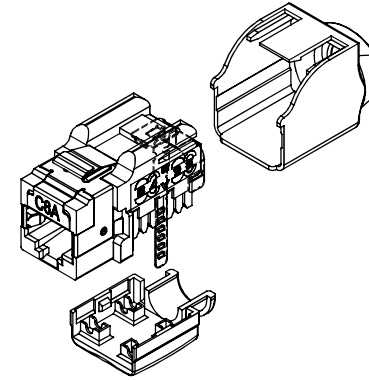
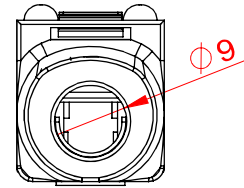
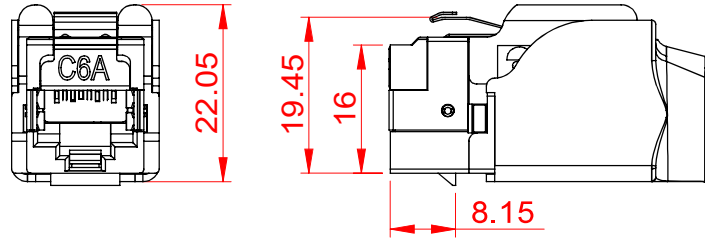




**PRODUCTION**



**MATERIAL**

- SHIELD CONTACT : BRASS, NICKEL PLATED
- BRACKET : STAINLESS
- KEYSTONE JACK HOUSING : ZINC ALLOY, NICKEL PLATED
- CONTACT HOLDER : PC, UL94V-0
- JACK CONTACTS : PHOSPHOR BRONZE, 50 U" GOLD PLATED
- IDC PLASTIC : PC, UL94V-0
- IDC TERMINALS : PHOSPHOR BRONZE, TIN OVER NICKEL UNDERCOAT
- IDC CAP : ABS, UL94V-0
- SHIELD COVER : ZINC ALLOY, NICKEL PLATED

**PHYSICAL CHARACTERISTICS**

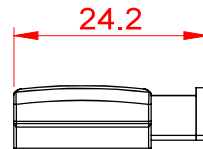
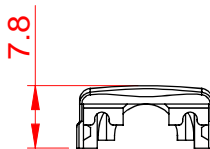
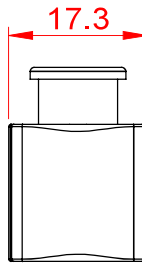
- SUITABLE IMPACT TOOL : 110 STYLE PUNCH DOWN TOOL
- INSERTION LIFE : 750 MATING CYCLES WITH FCC COMPLIANT 8P PLUG
- PLUG RETENTION FORCE : 11 LBF MINIMUM
- DURABILITY : 200 TERMINATION CYCLES
- CONTACT COMPATIBILITY : ACCOMMODATES 22 TO 24 AWG SOLID
- OPERATING TEMPERATURE RANGE : -10 °C TO 60 °C
- STORAGE TEMPERATURE RANGE : -40 °C TO 68 °C
- HUMIDITY : 10 % TO 90 % RH (NON-CONDENSING)

**ELECTRICAL**

- INSULATION RESISTANCE : 500 MΩ MINIMUM
- DC CURRENT RATING : 1.5 Amps
- INPUT TO OUTPUT D.C. RESISTANCE FOR SHIELD : 100 mΩ MAXIMUM
- INPUT TO OUTPUT D.C. RESISTANCE : 200 mΩ MAXIMUM
- CONTACT RESISTANCE : 20 mΩ MAXIMUM
- VOLTAGE PROOF (CONTACT TO CONTACT) : 1000 V D.C. OR A.C. PEAK
- VOLTAGE PROOF (CONTACT TO SHIELD) : 1500 V D.C.

**NOTE**

ONLY ACCEPT RJ-45 8P8C PLUG

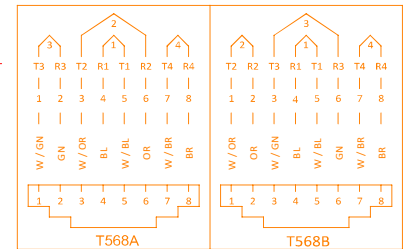
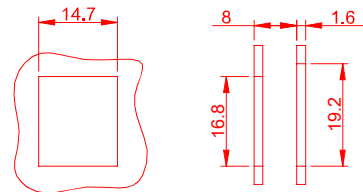


**ENCLOSURE**

- IDC CAP X 1 PC
- SHIELD COVER X 1 PC

**Cat 6A**

**SUGGESTED MOUNTING CUTOUT**



Scale	3:2	All Copy Rights Reserved	
3rd Angle Projection		<b>Part # QT-QAS-ABL-10G</b>	
Unit	mm	Title	
Date	2024/8/1	QuickTrex® Premium Cat 6A Shielded 10 GIG Rated Keystone Jack - 90 Degree Punch Down	
Tolerance		Drawn by	Checked by
~20	~50	~150	150~
±0.2	±0.4	±0.5	±1.5
ANGLE		±2°	